



US009183044B2

(12) **United States Patent**  
**Kahn et al.**

(10) **Patent No.:** **US 9,183,044 B2**  
(45) **Date of Patent:** **\*Nov. 10, 2015**

(54) **OPTIMIZING PREEMPTIVE OPERATING SYSTEM WITH MOTION SENSING**

(2013.01); **G06F 9/5027** (2013.01); **G06F 9/5044** (2013.01); **G06F 9/5055** (2013.01); **G06F 9/5094** (2013.01)

(71) Applicant: **DPTechnologies, Inc.**, Scotts Valley, CA (US)

(58) **Field of Classification Search**  
None

See application file for complete search history.

(72) Inventors: **Philippe Kahn**, Santa Cruz, CA (US);  
**Arthur Kinsolving**, Santa Cruz, CA (US)

(56) **References Cited**

U.S. PATENT DOCUMENTS

4,285,041 A 8/1981 Smith  
4,571,680 A 2/1986 Wu  
4,578,769 A 3/1986 Frederick  
4,700,369 A 10/1987 Siegal et al.  
4,776,323 A 10/1988 Spector  
5,313,060 A 5/1994 Gast et al.

(Continued)

FOREIGN PATENT DOCUMENTS

EP 1 104 143 5/2001  
EP 0 833 537 7/2002

(Continued)

OTHER PUBLICATIONS

“Access and Terminals (AT); Multimedia Message Service (MMS) for PSTN/ISDN; Multimedia Message Communication Between a Fixed Network Multimedia Message Terminal Equipment and a Multimedia Message Service Centre,” ETSI AT-F Rapporteur Meeting, Feb. 4-6, 2003, Gothenburg, DES/AT-030023 V0.0.1 (Mar. 2003).

(Continued)

(73) Assignee: **DP Technologies, Inc.**, Scotts Valley, CA (US)

(\* ) Notice: Subject to any disclaimer, the term of this patent is extended or adjusted under 35 U.S.C. 154(b) by 0 days.

This patent is subject to a terminal disclaimer.

(21) Appl. No.: **14/047,937**

(22) Filed: **Oct. 7, 2013**

(65) **Prior Publication Data**

US 2014/0040906 A1 Feb. 6, 2014

**Related U.S. Application Data**

(63) Continuation of application No. 11/829,813, filed on Jul. 27, 2007, now Pat. No. 8,555,282.

(51) **Int. Cl.**  
**G06F 9/46** (2006.01)  
**G06F 9/48** (2006.01)  
**G06F 9/50** (2006.01)

(52) **U.S. Cl.**  
CPC ..... **G06F 9/48** (2013.01); **G06F 9/4843** (2013.01); **G06F 9/4881** (2013.01); **G06F 9/4887** (2013.01); **G06F 9/4893** (2013.01); **G06F 9/50** (2013.01); **G06F 9/5005** (2013.01); **G06F 9/5011** (2013.01); **G06F 9/5016**

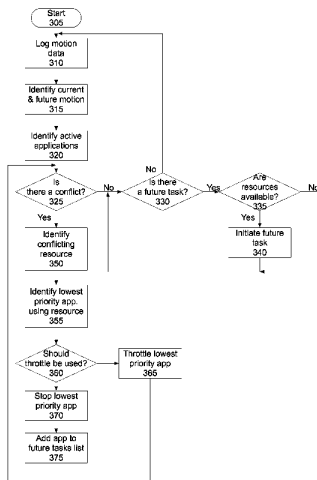
Primary Examiner — Charles Swift

(74) *Attorney, Agent, or Firm* — HIPLegal LLP; Judith A. Szepesi

(57) **ABSTRACT**

A method and apparatus to provide a scheduler comprising determining a current use characteristic for the mobile device based on motion information and active applications, and scheduling a task based on the current use characteristics.

**20 Claims, 7 Drawing Sheets**



(56)

References Cited

U.S. PATENT DOCUMENTS

5,386,210	A	1/1995	Lee	7,092,846	B2	8/2006	Vock et al.
5,430,480	A	7/1995	Allen et al.	7,096,619	B2	8/2006	Jackson et al.
5,446,725	A	8/1995	Ishiwatari	7,148,797	B2	12/2006	Albert
5,446,775	A	8/1995	Wright et al.	7,149,964	B1	12/2006	Cottrille et al.
5,454,114	A	9/1995	Yach et al.	7,155,507	B2	12/2006	Hirano et al.
5,485,402	A	1/1996	Smith et al.	7,158,912	B2	1/2007	Vock et al.
5,506,987	A	4/1996	Abramson et al.	7,169,084	B2	1/2007	Tsuji
5,583,776	A	12/1996	Levi et al.	7,171,222	B2	1/2007	Fostick
5,593,431	A	1/1997	Sheldon	7,171,331	B2	1/2007	Vock et al.
5,654,619	A	8/1997	Iwashita	7,173,604	B2	2/2007	Marvit et al.
5,703,786	A	12/1997	Conkright	7,176,886	B2	2/2007	Marvit et al.
5,737,439	A	4/1998	Lapsley et al.	7,176,887	B2	2/2007	Marvit et al.
5,771,001	A	6/1998	Cobb	7,176,888	B2	2/2007	Marvit et al.
5,778,882	A	7/1998	Raymond et al.	7,177,684	B1	2/2007	Kroll et al.
5,911,065	A	6/1999	Williams et al.	7,180,500	B2	2/2007	Marvit et al.
5,955,667	A	9/1999	Fyfe	7,180,501	B2	2/2007	Marvit et al.
5,955,871	A	9/1999	Nguyen	7,180,502	B2	2/2007	Marvit et al.
5,960,085	A	9/1999	de la Huerga	7,200,517	B2	4/2007	Darley et al.
5,976,083	A	11/1999	Richardson et al.	7,212,230	B2	5/2007	Stavely
6,013,007	A	1/2000	Root et al.	7,212,943	B2	5/2007	Aoshima et al.
6,061,456	A	5/2000	Andrea et al.	7,220,220	B2	5/2007	Stubbs et al.
6,122,595	A	9/2000	Varley et al.	7,254,516	B2	8/2007	Case et al.
6,135,951	A	10/2000	Richardson et al.	7,280,096	B2	10/2007	Marvit et al.
6,145,389	A	11/2000	Ebeling et al.	7,280,849	B1	10/2007	Bailey
6,246,321	B1	6/2001	Rechsteiner et al.	7,297,088	B2	11/2007	Tsuji
6,282,496	B1	8/2001	Chowdhary	7,301,526	B2	11/2007	Marvit et al.
6,353,449	B1	3/2002	Gregg et al.	7,301,527	B2	11/2007	Marvit et al.
6,369,794	B1	4/2002	Sakurai et al.	7,301,528	B2	11/2007	Marvit et al.
6,396,883	B2	5/2002	Yang et al.	7,301,529	B2	11/2007	Marvit et al.
6,408,330	B1	6/2002	de la Huerga	7,305,323	B2	12/2007	Skvortsov et al.
6,428,490	B1	8/2002	Kramer et al.	7,328,611	B2	2/2008	Klees et al.
6,470,147	B1	10/2002	Imada	7,334,472	B2	2/2008	Seo et al.
6,478,736	B1	11/2002	Mault	7,353,112	B2	4/2008	Choi et al.
6,493,652	B1	12/2002	Ohlenbusch et al.	7,365,735	B2	4/2008	Reinhardt et al.
6,496,695	B1	12/2002	Kouji et al.	7,365,736	B2	4/2008	Marvit et al.
6,513,381	B2	2/2003	Fyfe et al.	7,365,737	B2	4/2008	Marvit et al.
6,522,266	B1	2/2003	Soehren et al.	7,379,999	B1	5/2008	Zhou et al.
6,529,144	B1	3/2003	Nilsen et al.	7,387,611	B2	6/2008	Inoue et al.
6,532,419	B1	3/2003	Begin et al.	7,397,357	B2	7/2008	Krumm et al.
6,539,336	B1	3/2003	Vock et al.	7,451,056	B2	11/2008	Flentov et al.
6,595,929	B2	7/2003	Stivoric et al.	7,457,719	B1	11/2008	Kahn et al.
6,607,493	B2	8/2003	Song	7,457,872	B2	11/2008	Aton et al.
6,611,789	B1	8/2003	Darley	7,463,997	B2	12/2008	Pasolini et al.
6,628,898	B2	9/2003	Endo	7,467,060	B2	12/2008	Kulach et al.
6,634,992	B1	10/2003	Ogawa	7,512,515	B2	3/2009	Vock et al.
6,665,802	B1	12/2003	Ober	7,526,402	B2	4/2009	Tenanhaus et al.
6,672,991	B2	1/2004	O'Malley	7,608,050	B2	10/2009	Shugg
6,685,480	B2	2/2004	Nishimoto et al.	7,640,804	B2	1/2010	Daumer et al.
6,700,499	B2	3/2004	Kubo et al.	7,647,196	B2	1/2010	Kahn et al.
6,731,958	B1	5/2004	Shirai	7,653,508	B1	1/2010	Kahn et al.
6,766,176	B1	7/2004	Gupta et al.	7,664,657	B1	2/2010	Letzt et al.
6,771,250	B1	8/2004	Oh	7,689,107	B2	3/2010	Enomoto
6,786,877	B2	9/2004	Foxlin	7,705,884	B2	4/2010	Pinto et al.
6,788,980	B1	9/2004	Johnson	7,752,011	B2	7/2010	Niva et al.
6,790,178	B1	9/2004	Mault et al.	7,753,861	B1	7/2010	Kahn et al.
6,813,582	B2	11/2004	Levi et al.	7,765,553	B2	7/2010	Douceur et al.
6,823,036	B1	11/2004	Chen	7,774,156	B2	8/2010	Niva et al.
6,826,477	B2	11/2004	Ladetto et al.	7,788,059	B1	8/2010	Kahn et al.
6,836,744	B1	12/2004	Asphahani et al.	7,857,772	B2	12/2010	Bouvier et al.
6,881,191	B2	4/2005	Oakley et al.	7,881,902	B1	2/2011	Kahn et al.
6,885,971	B2	4/2005	Vock et al.	7,892,080	B1	2/2011	Dahl
6,895,425	B1	5/2005	Kadyk et al.	7,987,070	B2	7/2011	Kahn et al.
6,898,550	B1	5/2005	Blackadar et al.	8,187,182	B2	5/2012	Kahn et al.
6,928,382	B2	8/2005	Hong et al.	8,458,715	B1*	6/2013	Khosla et al. .... 718/104
6,941,239	B2	9/2005	Unuma et al.	2001/0047488	A1	11/2001	Verplaetse et al.
6,959,259	B2	10/2005	Vock et al.	2002/0006284	A1	1/2002	Kim
6,975,959	B2	12/2005	Dietrich et al.	2002/0023654	A1	2/2002	Webb
7,010,332	B1	3/2006	Irvin et al.	2002/0027164	A1	3/2002	Mault et al.
7,020,487	B2	3/2006	Kimata	2002/0042830	A1	4/2002	Bose et al.
7,027,087	B2	4/2006	Nozaki et al.	2002/0044634	A1	4/2002	Rooke et al.
7,028,547	B2	4/2006	Shiratori et al.	2002/0054214	A1	5/2002	Yoshikawa
7,042,509	B2	5/2006	Onuki	2002/0089425	A1	7/2002	Kubo et al.
7,054,784	B2	5/2006	Flentov et al.	2002/0109600	A1	8/2002	Mault et al.
7,057,551	B1	6/2006	Vogt	2002/0118121	A1	8/2002	Lehrman et al.
7,072,789	B2	7/2006	Vock et al.	2002/0122543	A1	9/2002	Rowen
				2002/0138017	A1	9/2002	Bui et al.
				2002/0142887	A1	10/2002	O'Malley
				2002/0150302	A1	10/2002	McCarthy et al.
				2002/0151810	A1	10/2002	Wong et al.

(56)

## References Cited

## U.S. PATENT DOCUMENTS

2002/0173295	A1	11/2002	Nykanen et al.	2005/0202934	A1	9/2005	Olrik et al.
2002/0190947	A1	12/2002	Feinstein	2005/0203430	A1	9/2005	Williams et al.
2003/0018430	A1	1/2003	Ladetto et al.	2005/0210300	A1	9/2005	Song et al.
2003/0033411	A1	2/2003	Kavoori et al.	2005/0212751	A1	9/2005	Marvit et al.
2003/0048218	A1	3/2003	Milnes et al.	2005/0212752	A1	9/2005	Marvit et al.
2003/0083596	A1	5/2003	Kramer et al.	2005/0212753	A1	9/2005	Marvit et al.
2003/0093187	A1	5/2003	Walker et al.	2005/0212760	A1	9/2005	Marvit et al.
2003/0101260	A1	5/2003	Dacier et al.	2005/0216403	A1	9/2005	Tam et al.
2003/0109258	A1	6/2003	Mantyljarvi et al.	2005/0222801	A1	10/2005	Wulff et al.
2003/0139692	A1	7/2003	Barrey et al.	2005/0232388	A1	10/2005	Tsuji
2003/0139908	A1	7/2003	Wegerich et al.	2005/0232404	A1	10/2005	Gaskill
2003/0149526	A1	8/2003	Zhou et al.	2005/0234676	A1	10/2005	Shibayama
2003/0151672	A1	8/2003	Robins et al.	2005/0235058	A1	10/2005	Rackus et al.
2003/0187683	A1	10/2003	Kirchhoff et al.	2005/0238132	A1	10/2005	Tsuji
2003/0208110	A1	11/2003	Mault et al.	2005/0240375	A1	10/2005	Sugai
2003/0208113	A1	11/2003	Mault et al.	2005/0243178	A1	11/2005	McConica
2003/0227487	A1	12/2003	Hugh	2005/0245988	A1	11/2005	Miesel
2003/0236625	A1	12/2003	Brown et al.	2005/0248718	A1	11/2005	Howell et al.
2004/0017300	A1	1/2004	Kotzin et al.	2005/0256414	A1	11/2005	Kettunen et al.
2004/0024846	A1	2/2004	Randall et al.	2005/0258938	A1	11/2005	Moulson
2004/0043760	A1	3/2004	Rosenfeld et al.	2005/0262237	A1	11/2005	Fulton et al.
2004/0044493	A1	3/2004	Coulthard	2005/0281289	A1	12/2005	Huang et al.
2004/0047498	A1	3/2004	Mulet-Parada et al.	2006/0009243	A1	1/2006	Dahan et al.
2004/0078219	A1	4/2004	Kaylor et al.	2006/0017692	A1	1/2006	Wehrenberg et al.
2004/0078220	A1	4/2004	Jackson	2006/0020177	A1	1/2006	Seo et al.
2004/0081441	A1	4/2004	Sato et al.	2006/0029284	A1	2/2006	Stewart
2004/0106958	A1	6/2004	Mathis et al.	2006/0063980	A1	3/2006	Hwang et al.
2004/0122294	A1	6/2004	Hatlestad et al.	2006/0064276	A1	3/2006	Ren et al.
2004/0122295	A1	6/2004	Hatlestad et al.	2006/0080551	A1	4/2006	Mantyljarvi et al.
2004/0122296	A1	6/2004	Hatlestad et al.	2006/0090088	A1	4/2006	Choi et al.
2004/0122297	A1	6/2004	Stahmann et al.	2006/0098097	A1	5/2006	Wach et al.
2004/0122333	A1	6/2004	Nissila	2006/0100546	A1	5/2006	Silk
2004/0122484	A1	6/2004	Hatlestad et al.	2006/0109113	A1	5/2006	Reyes et al.
2004/0122485	A1	6/2004	Stahmann et al.	2006/0136173	A1	6/2006	Case, Jr. et al.
2004/0122486	A1	6/2004	Stahmann et al.	2006/0140422	A1	6/2006	Zurek et al.
2004/0122487	A1	6/2004	Hatlestad et al.	2006/0149516	A1	7/2006	Bond et al.
2004/0125073	A1	7/2004	Potter et al.	2006/0154642	A1	7/2006	Scannell, Jr.
2004/0130628	A1	7/2004	Stavely	2006/0161377	A1	7/2006	Rakkola et al.
2004/0135898	A1	7/2004	Zador	2006/0161459	A9	7/2006	Rosenfeld et al.
2004/0146048	A1	7/2004	Cotte	2006/0167387	A1	7/2006	Buchholz et al.
2004/0148340	A1	7/2004	Cotte	2006/0167647	A1	7/2006	Krumm et al.
2004/0148341	A1	7/2004	Cotte	2006/0167943	A1	7/2006	Rosenberg
2004/0148342	A1	7/2004	Cotte	2006/0172706	A1	8/2006	Griffin et al.
2004/0148351	A1	7/2004	Cotte	2006/0174685	A1	8/2006	Skvortsov et al.
2004/0176067	A1	9/2004	Lakhani et al.	2006/0204214	A1	9/2006	Shah et al.
2004/0185821	A1	9/2004	Yuasa	2006/0206258	A1	9/2006	Brooks
2004/0219910	A1	11/2004	Beckers	2006/0223547	A1	10/2006	Chin et al.
2004/0225467	A1	11/2004	Vock et al.	2006/0249683	A1	11/2006	Goldberg et al.
2004/0236500	A1	11/2004	Choi et al.	2006/0256082	A1	11/2006	Cho et al.
2004/0242202	A1	12/2004	Torvinen	2006/0257042	A1	11/2006	Ofek et al.
2004/0247030	A1	12/2004	Wiethoff	2006/0259268	A1	11/2006	Vock et al.
2004/0259494	A1	12/2004	Mazar	2006/0284979	A1	12/2006	Clarkson
2005/0015768	A1	1/2005	Moore	2006/0288781	A1	12/2006	Daumer et al.
2005/0027567	A1	2/2005	Taha	2006/0289819	A1	12/2006	Parsons et al.
2005/0033200	A1	2/2005	Soehren et al.	2007/0004451	A1	1/2007	C Anderson
2005/0038691	A1	2/2005	Babu	2007/0005988	A1	1/2007	Zhang et al.
2005/0048945	A1	3/2005	Porter	2007/0017136	A1	1/2007	Mosher et al.
2005/0048955	A1	3/2005	Ring	2007/0024441	A1	2/2007	Kahn et al.
2005/0078197	A1	4/2005	Gonzalez	2007/0037605	A1	2/2007	Logan et al.
2005/0079873	A1	4/2005	Caspi et al.	2007/0038364	A1	2/2007	Lee et al.
2005/0101841	A9	5/2005	Kaylor et al.	2007/0040892	A1	2/2007	Aoki et al.
2005/0102167	A1	5/2005	Kapoor	2007/0050157	A1	3/2007	Kahn et al.
2005/0107944	A1	5/2005	Hovestadt et al.	2007/0061105	A1	3/2007	Darley et al.
2005/0113649	A1	5/2005	Bergantino	2007/0063850	A1	3/2007	Devaul et al.
2005/0113650	A1	5/2005	Pacione et al.	2007/0067094	A1	3/2007	Park et al.
2005/0125797	A1*	6/2005	Gabrani et al. .... 718/100	2007/0073482	A1	3/2007	Churchill et al.
2005/0131736	A1	6/2005	Nelson et al.	2007/0075127	A1	4/2007	Rosenberg
2005/0141522	A1	6/2005	Kadar et al.	2007/0075965	A1	4/2007	Huppi et al.
2005/0143106	A1	6/2005	Chan et al.	2007/0082789	A1	4/2007	Nissila et al.
2005/0146431	A1	7/2005	Hastings et al.	2007/0104479	A1	5/2007	Machida
2005/0157181	A1	7/2005	Kawahara et al.	2007/0106991	A1	5/2007	Yoo
2005/0165719	A1	7/2005	Greenspan et al.	2007/0125852	A1	6/2007	Rosenberg
2005/0168587	A1	8/2005	Sato et al.	2007/0130582	A1	6/2007	Chang et al.
2005/0182824	A1	8/2005	Cotte	2007/0142715	A1	6/2007	Banet et al.
2005/0183086	A1	8/2005	Abe et al.	2007/0143068	A1	6/2007	Pasolini et al.
				2007/0145680	A1	6/2007	Rosenberg
				2007/0150136	A1	6/2007	Doll et al.
				2007/0156364	A1	7/2007	Rothkopf
				2007/0161410	A1	7/2007	Huang et al.

(56)

## References Cited

## U.S. PATENT DOCUMENTS

2007/0165790	A1	7/2007	Taori
2007/0169126	A1	7/2007	Todoroki et al.
2007/0176898	A1	8/2007	Suh
2007/0192483	A1	8/2007	Rezvani et al.
2007/0208531	A1	9/2007	Darley et al.
2007/0213126	A1	9/2007	Deutsch et al.
2007/0233788	A1	10/2007	Bender
2007/0239399	A1	10/2007	Shyenblat et al.
2007/0250261	A1	10/2007	Soehren
2007/0259685	A1	11/2007	Engblom et al.
2007/0259716	A1	11/2007	Mattice et al.
2007/0259717	A1	11/2007	Mattice et al.
2007/0260418	A1	11/2007	Ladetto et al.
2007/0260482	A1	11/2007	Nurmela et al.
2007/0263995	A1	11/2007	Park et al.
2007/0281762	A1	12/2007	Barros et al.
2008/0005738	A1	1/2008	Imai et al.
2008/0030586	A1	2/2008	Helbing et al.
2008/0046888	A1	2/2008	Appaji
2008/0052716	A1	2/2008	Theurer
2008/0072014	A1	3/2008	Krishnan et al.
2008/0082994	A1	4/2008	Ito et al.
2008/0113689	A1	5/2008	Bailey
2008/0140338	A1	6/2008	No et al.
2008/0153671	A1	6/2008	Ogg et al.
2008/0165022	A1	7/2008	Herz et al.
2008/0168361	A1	7/2008	Forstall et al.
2008/0171918	A1	7/2008	Teller et al.
2008/0214358	A1	9/2008	Ogg et al.
2008/0231713	A1	9/2008	Florea et al.
2008/0231714	A1	9/2008	Estevez et al.
2008/0232604	A1	9/2008	Dufresne et al.
2008/0243432	A1	10/2008	Kato et al.
2008/0303681	A1	12/2008	Herz et al.
2008/0311929	A1	12/2008	Carro et al.
2009/0017880	A1	1/2009	Moore et al.
2009/0031319	A1	1/2009	Fecioru
2009/0043531	A1	2/2009	Kahn et al.
2009/0047645	A1	2/2009	Dibenedetto et al.
2009/0067826	A1	3/2009	Shinohara et al.
2009/0088204	A1	4/2009	Culbert et al.
2009/0099668	A1	4/2009	Lehman et al.
2009/0124348	A1	5/2009	Yoseloff et al.
2009/0128448	A1	5/2009	Riechel
2009/0174782	A1	7/2009	Kahn et al.
2009/0213002	A1	8/2009	Rani et al.
2009/0215502	A1	8/2009	Griffin, Jr.
2009/0234614	A1	9/2009	Kahn et al.
2009/0274317	A1	11/2009	Kahn et al.
2009/0296951	A1	12/2009	De Haan
2009/0319221	A1	12/2009	Kahn et al.
2010/0056872	A1	3/2010	Kahn et al.
2010/0057398	A1	3/2010	Darley et al.
2010/0199189	A1	8/2010	Ben-Aroya et al.

## FOREIGN PATENT DOCUMENTS

GB	2431813	A	5/2007
JP	7020547	A	1/1995
JP	2005-309691		11/2005
JP	2006-118909		5/2006
WO	WO 99/22338		5/1999
WO	WO 00/63874		10/2000
WO	WO 02/088926		11/2002

## OTHER PUBLICATIONS

"Decrease Processor Power Consumption using a CoolRunner CPLD," Xilinx XAPP347 (v1.0), May 16, 2001, 9 pages.

"Sensor Fusion," <[www.u-dynamics.com](http://www.u-dynamics.com)>, accessed Aug. 29, 2008, 2 pages.

Anderson, Ian, et al., "Shakra: Tracking and Sharing Daily Activity Levels with Unaugmented Mobile Phones," Mobile Netw Appl, Aug. 3, 2007, pp. 185-199.

Ang, Wei Tech, et al., "Zero Phase Filtering for Active Compensation of Periodic Physiological Motion," Proc 1st IEEE / RAS-EMBS International Conference on Biomedical Robotics and Biomechanics, Feb. 20-22, 2006, pp. 182-187.

Aylward, Ryan, et al., "Senseable: A Wireless, Compact, Multi-User Sensor System for Interactive Dance," International Conference on New Interfaces for Musical Expression (NIME06), Jun. 4-8, 2006, pp. 134-139.

Baca, Arnold, et al., "Rapid Feedback Systems for Elite Sports Training," IEEE Pervasive Computing, Oct.-Dec. 2006, pp. 70-76.

Bakhr, Kesh, "A Seamless Tracking Solution for Indoor and Outdoor Position Location," IEEE 16th International Symposium on Personal, Indoor, and Mobile Radio Communications, 2005, pp. 2029-2033.

Bliley, Kara E, et al., "A Miniaturized Low Power Personal Motion Analysis Logger Utilizing MEMS Accelerometers and Low Power Microcontroller," IEEE EMBS Special Topic Conference on Microtechnologies in Medicine and Biology, May 12-15, 2005, pp. 92-93.

Bourzac, Katherine "Wearable Health Reports," Technology Review, Feb. 28, 2006, <[http://www.techreview.com/printer\\_friendly\\_article.aspx?id=16431](http://www.techreview.com/printer_friendly_article.aspx?id=16431)>, Mar. 22, 2007, 3 pages.

Cheng, et al., "Periodic Human Motion Description for Sports Video Databases," Proceedings of the Pattern Recognition, 2004, 8 pages.

Dao, Ricardo, "Inclination Sensing with Thermal Accelerometers", MEMSIC, May 2002, 3 pages.

Fang, Lei, et al., "Design of a Wireless Assisted Pedestrian Dead Reckoning System—The NavMote Experience," IEEE Transactions on Instrumentation and Measurement, vol. 54, No. 6, Dec. 2005, pp. 2342-2358.

Healey, Jennifer, et al., "Wearable Wellness Monitoring Using ECG and Accelerometer Data," IEEE Int. Symposium on Wearable Computers (ISWC'05), 2005, 2 pages.

Hemmes, Jeffrey, et al., "Lessons Learned Building TeamTrak: An Urban/Outdoor Mobile Testbed," 2007 IEEE Int. Conf. on Wireless Algorithms, Aug. 1-3, 2007, pp. 219-224.

Jones, L, et al., "Wireless Physiological Sensor System for Ambulatory Use," <[http://ieeexplore.ieee.org/xpl/freeabs\\_all.jsp?tp=&arnumber=1612917&isnumber=33861](http://ieeexplore.ieee.org/xpl/freeabs_all.jsp?tp=&arnumber=1612917&isnumber=33861)>, Apr. 3-5, 2006, 1 page.

Jovanov, Emil, et al., "A Wireless Body Area Network of Intelligent Motion Sensors for Computer Assisted Physical Rehabilitation," Journal of NeuroEngineering and Rehabilitation, Mar. 2005, 10 pages.

Kalpaxis, Alex, "Wireless Temporal-Spatial Human Mobility Analysis Using Real-Time Three Dimensional Acceleration Data," IEEE Intl. Multi-Conf. on Computing in Global IT (ICCGI'07), 2007, 7 pages.

Lee, Hyunseok, et al., "A Dual Processor Solution for the MAC Layer of a Software Defined Radio Terminal," Advanced Computer Architecture Laboratory, University of Michigan, 25 pages.

Lee, Seon-Woo, et al., "Recognition of Walking Behaviors for Pedestrian Navigation," ATR Media Integration & Communications Research Laboratories, Kyoto, Japan, pp. 1152-1155.

Margaria, Rodolfo, "Biomechanics and Energetics of Muscular Exercise", Chapter 3, Oxford: Clarendon Press 1976, pp. 105-125.

Milenkovic, Milena, et al., "An Accelerometer-Based Physical Rehabilitation System," IEEE SouthEastern Symposium on System Theory, 2002, pp. 57-60.

Mizell, David, "Using Gravity to Estimate Accelerometer Orientation", Seventh IEEE International Symposium on Wearable Computers, 2003, 2 pages.

Ormonet, D, et al., "Learning and Tracking of Cyclic Human Motion: Proceedings of NIPS 2000, Neural Information Processing Systems, 2000, Denver, CO, pp. 894-900.

Otto, Chris, et al., "System Architecture of a Wireless Body Area Sensor Network for Ubiquitous Health Monitoring," Journal of Mobile Multimedia, vol. 1, No. 4, 2006, pp. 307-326.

Park, Chulsung, et al., "Eco: An Ultra-Compact Low-Power Wireless Sensor Node for Real-Time Motion Monitoring," IEEE Int. Symp. on Information Processing in Sensor Networks, 2005, pp. 398-403.

Ricoh, "Advanced digital technology changes creativity," <[http://www.ricoh.com/r\\_dc/gx/gx200/features2.html](http://www.ricoh.com/r_dc/gx/gx200/features2.html)>, Accessed May 12, 2011, 4 pages.

(56)

**References Cited**

## OTHER PUBLICATIONS

Shen, Chien-Lung, et al, "Wearable Band Using a Fabric-Based Sensor for Exercise ECG Monitoring," IEEE Int. Symp. on Wearable Computers, 2006, 2 pages.

Tapia, Emmanuel Munguia, et al, "Real-Time Recognition of Physical Activities and Their Intensities Using Wireless Accelerometers and a Heart Rate Monitor," IEEE Cont. on Wearable Computers, Oct. 2007, 4 pages.

Tech, Ang Wei, "Real-time Image Stabilizer," <[http://www.mae.ntu.edu.sg/ABOUTMAE/DIVISIONS/RRC\\_BIORBOTICS/Pages/rtimage.aspx](http://www.mae.ntu.edu.sg/ABOUTMAE/DIVISIONS/RRC_BIORBOTICS/Pages/rtimage.aspx)>, Mar. 23, 2009, 3 pages.

Wang, Shu, et al, "Location Based Services for Mobiles: Technologies and Standards, LG Electronics MobileComm," IEEE ICC 2008, Beijing, pp. 1-66 (part 1 of 3).

Wang, Shu, et al, "Location Based Services for Mobiles: Technologies and Standards, LG Electronics MobileComm," IEEE ICC 2008, Beijing, pp. 67-92 (part 2 of 3).

Wang, Shu, et al, "Location Based Services for Mobiles: Technologies and Standards, LG Electronics MobileComm," IEEE ICC 2008, Beijing, pp. 93-123 (part 3 of 3).

Weckesser, P, et al, "Multiple Sensorprocessing for High-Precision Navigation and Environmental Modeling with a Mobile Robot," IEEE, 1995, pp. 453-458.

Weinberg, Harvey, "Minimizing Power Consumption of iMEMS® Accelerometers," Analog Devices, <[http://www.analog.com/static/imported-files/application\\_notes/5935151853362884599AN601.pdf](http://www.analog.com/static/imported-files/application_notes/5935151853362884599AN601.pdf)>, 2002, 5 pages.

Weinberg, Harvey, "MEMS Motion Sensors Boost Handset Reliability" Jun. 2006, ≤ <http://www.mwrf.com/Articles/Print.cfm?ArticleID=12740>>, Feb. 21, 2007, 4 pages.

Wixted, Andrew J, et al, "Measurement of Energy Expenditure in Elite Athletes Using MEMS-Based Triaxial Accelerometers," IEEE Sensors Journal, vol. 7, No. 4, Apr. 2007, pp. 481-488.

Wu, Winston H, et al, "Context-Aware Sensing of Physiological Signals," IEEE Int. Conf. on Engineering for Medicine and Biology, Aug. 23-26, 2007, pp. 5271-5275.

Yoo, Chang-Sun, et al, "Low Cost GPS/INS Sensor Fusion System for UAV Navigation," IEEE, 2003, 9 pages.

Zypad WL 1100 Wearable Computer, <[http://www.eurotech.fi/products/manuals/Zypad%20WL%201100\\_sf.pdf](http://www.eurotech.fi/products/manuals/Zypad%20WL%201100_sf.pdf)>, Jan. 16, 2008, 2 pgs.

\* cited by examiner

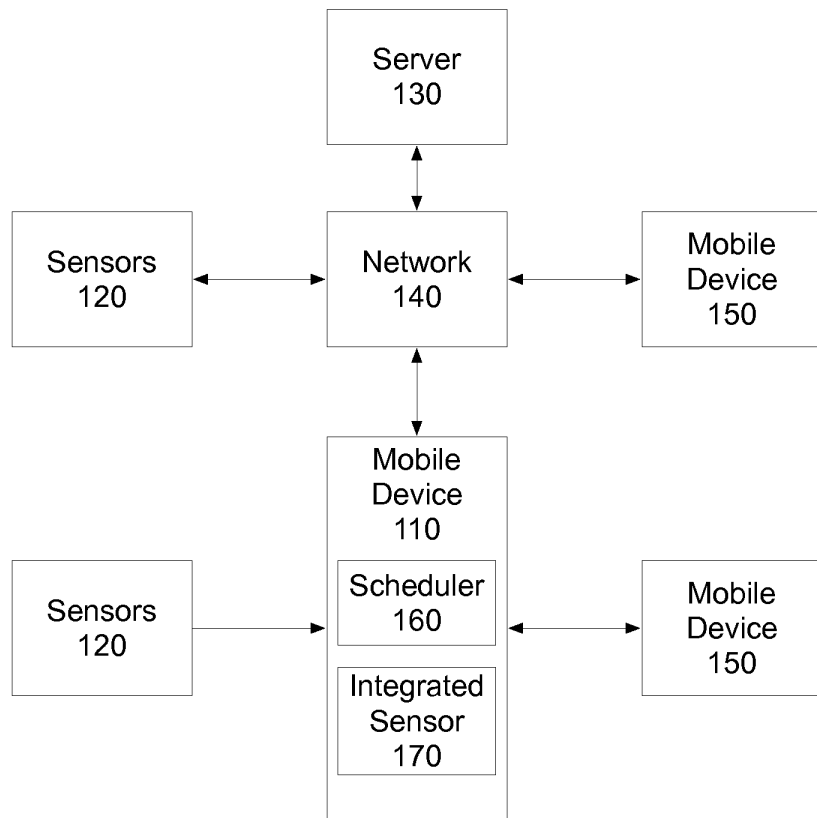


Fig. 1

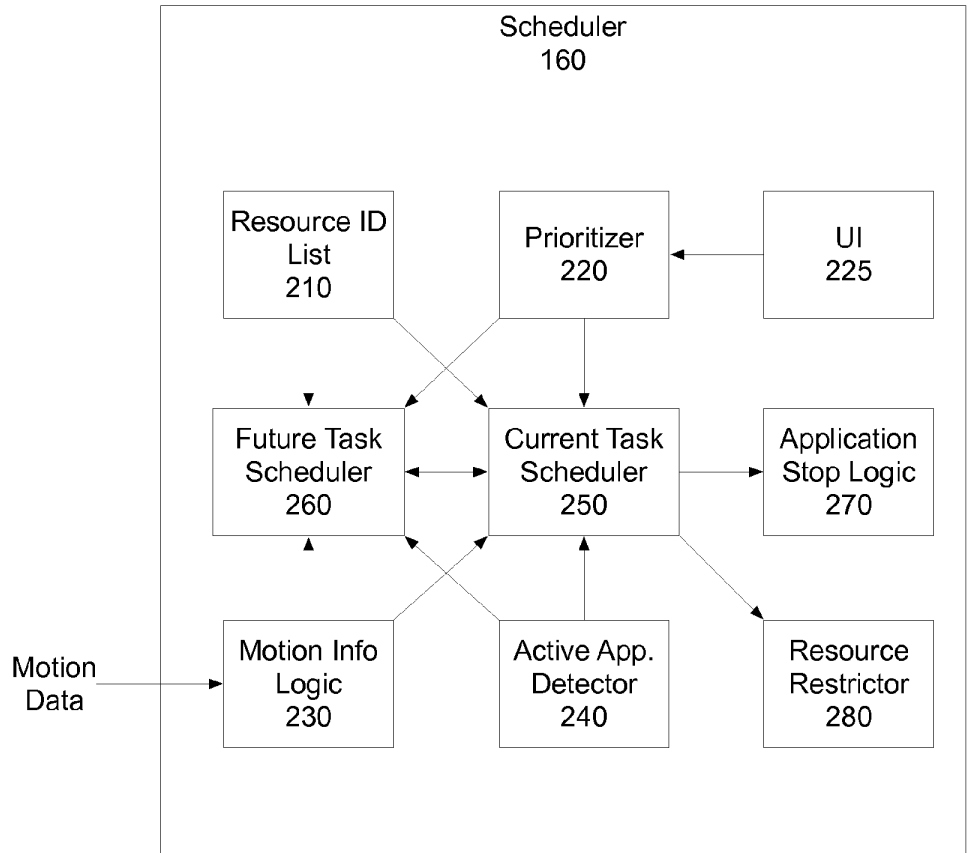


Fig. 2

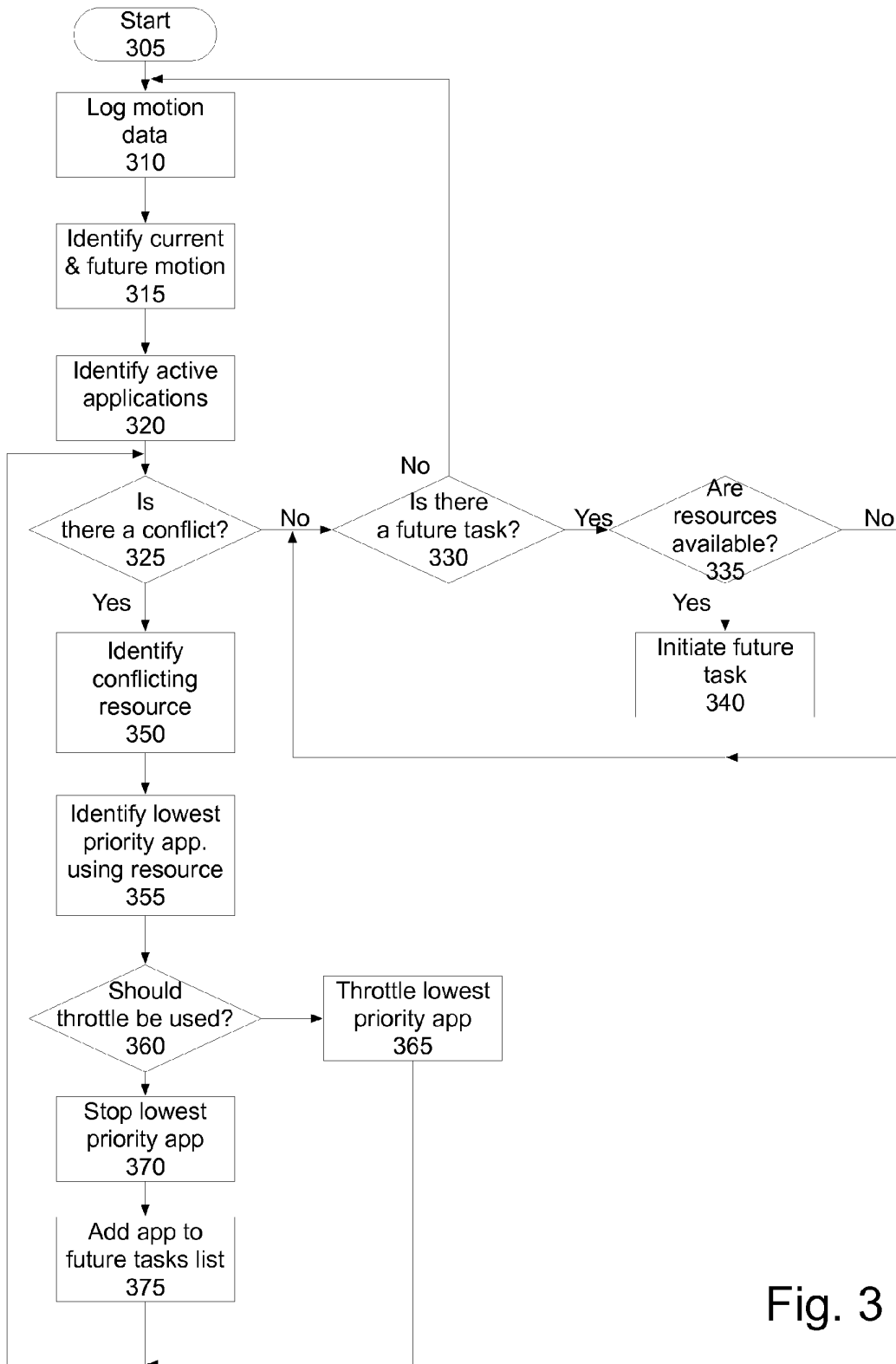


Fig. 3



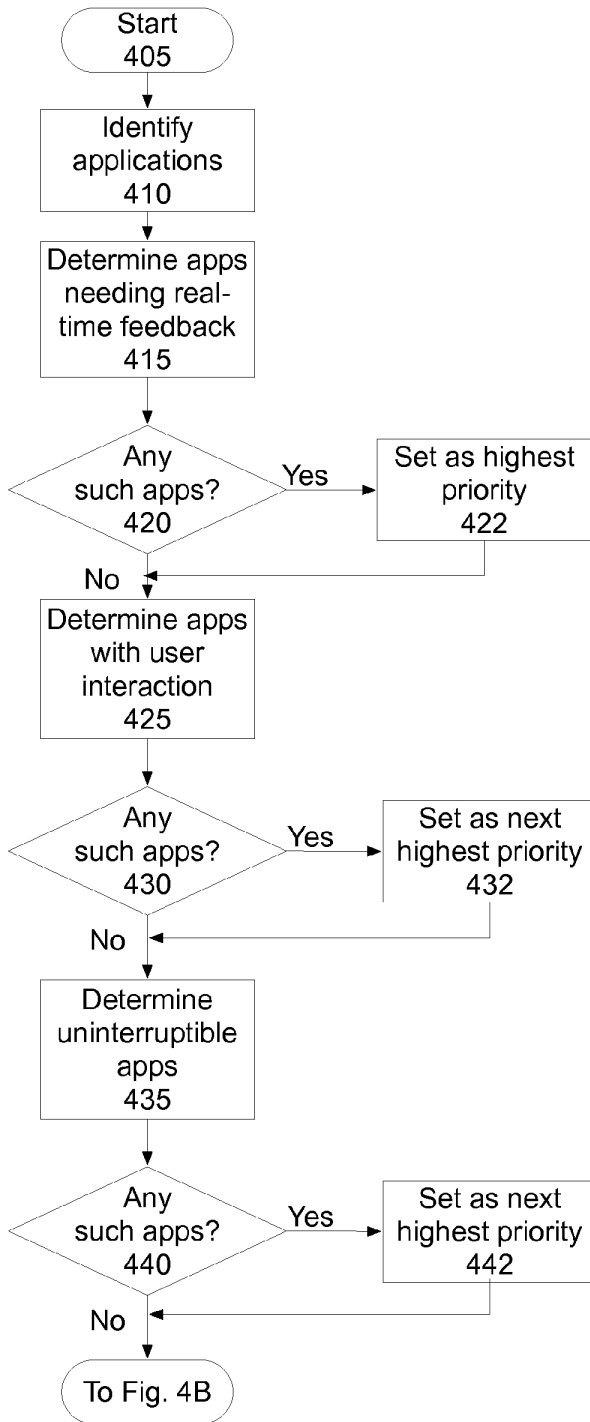


Fig. 4A

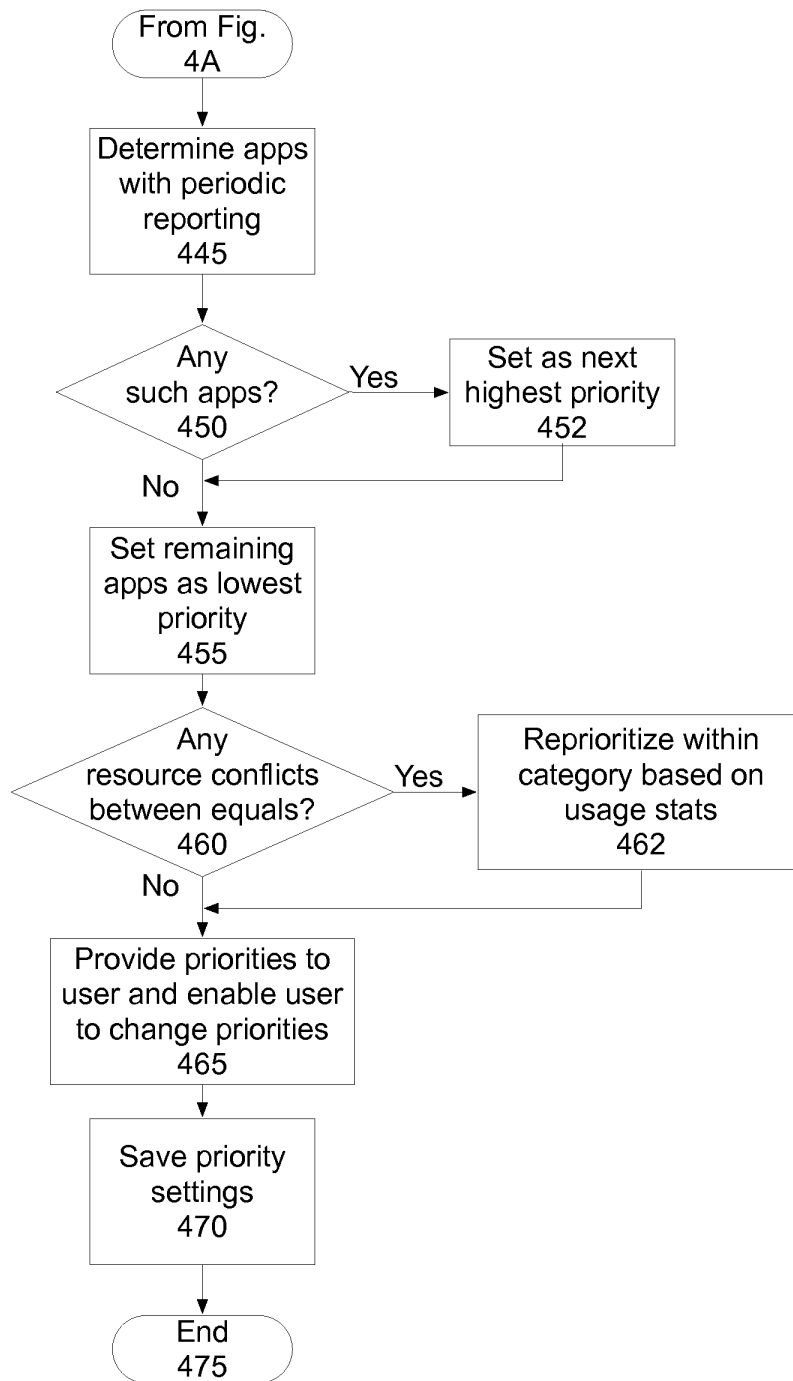


Fig. 4B

<u>Task</u>	<u>Resources Used</u>
Game 1	UI, storage bandwidth, RAM, non-volatile memory
Game 2	UI, storage bandwidth, RAM, network bandwidth
Phone	Network bandwidth
Download	Network bandwidth, storage bandwidth, non-volatile memory
Application	UI, RAM
etc.	

**Fig. 5**

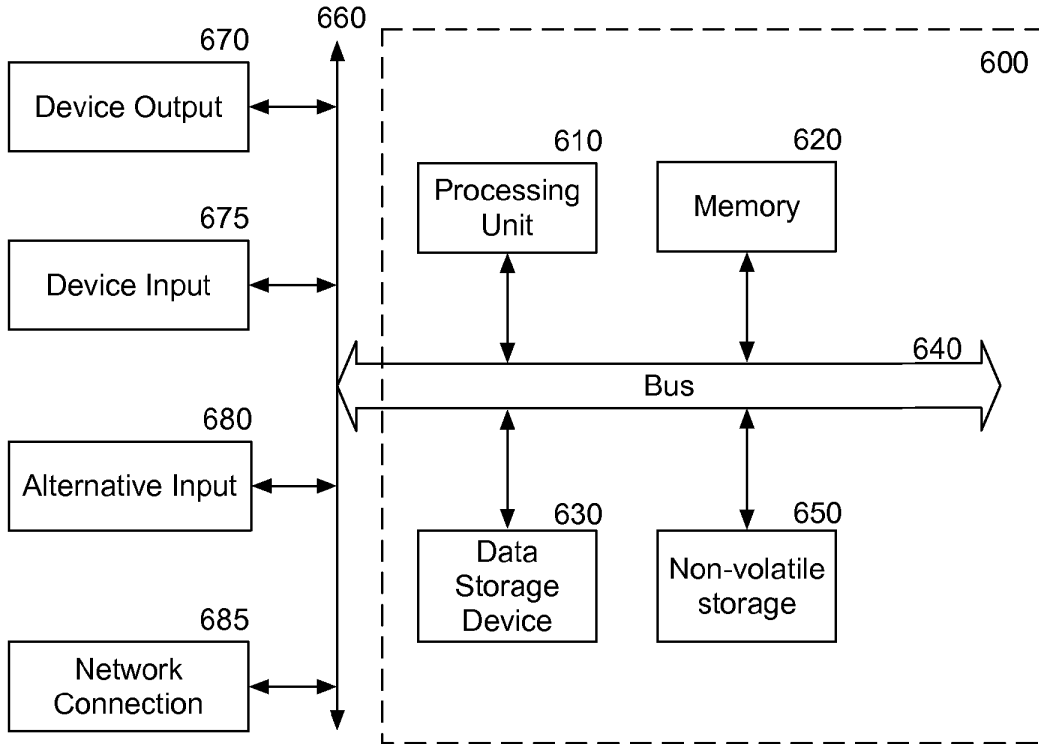


Fig. 6

**OPTIMIZING PREEMPTIVE OPERATING SYSTEM WITH MOTION SENSING**

The present patent application is a continuation of U.S. application Ser. No. 11/829,813, filed on Jul. 27, 2007, now U.S. Pat. No. 8,555,282, issuing on Oct. 8, 2013.

**FIELD OF THE INVENTION**

The present invention relates to preemptive operating systems, and more particularly to scheduling in preemptive operating systems.

**BACKGROUND**

Mobile devices are gaining increasing functionality and importance in our daily lives. Accelerometers may be incorporated in these devices for measuring the motion that the device experiences. More and more of these mobile devices have multi-tasking preemptive operating systems that allow the device to run several programs or applications at once. These preemptive operating systems have schedulers to prioritize tasks. In prior implementations, these schedulers based their decision on the priority of each application or function, and occasionally on the time of day.

**SUMMARY OF THE INVENTION**

A method and apparatus to provide a scheduler comprising determining a current use characteristic for the mobile device based on motion information and active applications, and scheduling a task based on the current use characteristics.

**BRIEF DESCRIPTION OF THE DRAWINGS**

The present invention is illustrated by way of example, and not by way of limitation, in the figures of the accompanying drawings and in which like reference numerals refer to similar elements and in which:

FIG. 1 is a network diagram illustrating a network in which the present system may work.

FIG. 2 is a block diagram of one embodiment of the scheduler.

FIG. 3 is a flowchart of one embodiment of scheduling.

FIGS. 4A and 4B is a flowchart of one embodiment of setting scheduling preferences.

FIG. 5 is a list of exemplary tasks and the associated resources used.

FIG. 6 is a block diagram of a computer system that may be utilized with the present invention.

**DETAILED DESCRIPTION**

The method and apparatus described is for providing a preemptive operating system, which schedules tasks in a mobile device. Prior art schedulers have had no awareness as to the motion that the device is experiencing and in particular what the user's motion implies about the state of the device and the likelihood of the user to perform certain actions with the device. In prior art, these schedulers know only of the current state of various programs and whether the device has the screen turned on or off but have no awareness of the motion that a device is experiencing.

The scheduler of the present invention in one embodiment optimizes these preemptive operating environments using motion information. The scheduler optimizes tasks, programs, and data communications based upon the device's use

characteristic, determined based on the motion information. Data communications may include pulling data from and pushing data to the network.

While the scheduler improves the performance of all programs on a mobile device, some programs require especially low latency in their execution in order to operate accurately. In particular, programs that receive and process the input from integrated or wirelessly tethered sensors degrade rapidly in performance and accuracy as latency increases. Many of these sensor programs analyze data in real time, sampling a sensor from 1 to 300+Hz. In a preemptive operating system where the host processor interfaces directly with a given sensor, a higher priority task such as a phone call or data transfer will preempt the lower priority task of real time data analysis. If system bandwidth is limited, the lower priority task may be halted entirely, significantly degrading the program's performance.

FIG. 1 is a network diagram illustrating a network in which the present system may work. The system includes a mobile device 110. The mobile device 110, in one embodiment, receives data from one or more sensors 120, 170. The sensors 120, 170 may be coupled to the mobile device 110 via a wireless connection 120 such as 802.11 WiFi, Bluetooth, etc or may be integrated in the mobile device 170. The integrated sensors 170, in one embodiment include an inertial sensor. The mobile device 110 can also retrieve data from a server 130 via network 140, or send data to a server 130 via network 140. The network may be the Internet, a cellular telephone network, or any other network. The mobile device 110 may be getting data from the network via various protocols including Wireless Access Protocol (WAP), HTTP, or other protocols.

The mobile device 110 may also obtain data from other another mobile device 150 either through a direct connection or through network. The scheduler 160 in mobile device 110 determines when the various tasks and communications occur. This may include obtaining data from, and sending data to, servers 130, sensors 120, and other mobile devices 150, as well as internal processes such as programs and tasks.

FIG. 2 is a block diagram of one embodiment of the scheduler. The scheduler 160 in one embodiment is a software application which runs on a mobile device. In another embodiment, the scheduler 160 may have a client and a server component. The functionality may be split between the client and the server. In one embodiment, the preference settings, and calculations may be on the server which has more processing power and storage available, while the implementation/use aspects reside on the client. For simplicity, the below description refers to any schedulable task, program, or data communication as a "task."

Scheduler 160 includes a resource identification list 210, which includes a listing of one or more potential tasks and the resource(s) that the task uses. For example, a download task utilizes network bandwidth, storage bandwidth (memory bus), and storage. By contrast, a telephone call task only uses network bandwidth. FIG. 5 lists a number of exemplary tasks and their associated resources.

Prioritizer 220 includes a list of tasks and their relative priorities. For example, a task which is observed by the user is a higher priority than a task which is generally not observed by the user. A task which provides semi-real-time feedback or other data processing is higher priority than a task which provides background download, synchronization, or similar features. In one embodiment, user may use a user interface 225 to prioritize tasks. In one embodiment, the system comes with a default set of priorities, which may be edited or adjusted by the user.

Motion information logic **230** receives motion data. In one embodiment, motion data is received from an accelerometer or other inertial sensor. In one embodiment, motion data is received from a 3-dimensional accelerometer that is part of the device. Motion logic **230** determines a current motion, and based on an identified activity of the user, determines expected future motion as well. For example, if the user is walking at a rapid cadence, it is likely that he or she will continue to walk. If the user is playing a game, he or she is likely to continue moving the device and playing the game.

In one embodiment, the system further includes an active application detector **240**. In one embodiment, active application detector detects when an application is active (i.e. being used), even if there is no associated motion. For example, the user may open an application such as a web download application while keeping the mobile device stationary.

Current task scheduler **250** prioritizes current tasks based on prioritizer **220** data and resource ID **210** data. The current tasks are determined by current task scheduler **250** based on active app. detector **240** and motion logic **230**.

If the current task scheduler **250** determines that two applications conflict, it can in one embodiment, send a stop message to application stop logic **270**. In one embodiment, current task scheduler **250** also then sends the stopped task to future task scheduler **260**. In one embodiment, current task scheduler **250** may also utilize resource restrictor **280** to reduce available resources for lower priority tasks. In one embodiment, current task scheduler **250** uses prioritizer data to determine which application(s) to throttle.

Resource restrictor **280** may be used to reduce the available resources to one or more of the currently active applications. This may include reducing available bandwidth.

Future task scheduler **260** receives future tasks for scheduling. In one embodiment, these future tasks may be received from current task scheduler **250**. In one embodiment, future tasks may be received from the user. The user may, in one embodiment, add tasks to a list of "future tasks" which should be performed when there are resources available. For example, for a larger download or upload project, the user may indicate that the project is a "future task" instead of directly initializing the task.

Future task scheduler **260** passes a task to current task scheduler **250** when the motion info logic **230** and active application detector **240** indicate that the time is good for performing that task. For example, when the device is not in motion, and there are no applications using network bandwidth, a upload or download future task may be scheduled. In one embodiment, future task scheduler **260** passes tasks for data calls to the server for uploads, downloads, and synchronization to the current task scheduler **250** when the device is idle. In one embodiment, the device is idle when no motion is detected. In one embodiment, the device is idle when no motion is detected and the user is not interacting with any application.

In one embodiment, the system may have tasks that are interruptible (such as downloads) and tasks that are not interruptible (such as installation of applications). In one embodiment, future task scheduler **260** may also have as an input a clock. In one embodiment, the future task scheduler may take into account the likelihood of a user initiating a conflicting task, prior to passing a non-interruptible task to the current task scheduler **250**.

FIG. 3 is a flowchart of one embodiment of scheduling. The process starts at block **305**.

At block **310**, motion data is logged. Motion data is logged, in one embodiment in a buffer or similar temporary memory.

At block **315**, current motion is identified, and future expected motions are identified. At block **320**, the active applications are identified.

At block **320**, the process determines whether there is a conflict between the motions/sensors and any current tasks. If there is no conflict, the process continues to block **330**. At block **330**, the process determines whether there are any future tasks. Future tasks are tasks either scheduled by the user to be executed in the future, or halted previously. If there are no future tasks, the process returns to block **310** to continue logging motion data.

If there are future tasks, the process, at block **335**, determines whether there are resources available currently to execute the future task. In one embodiment, this is determined based on the motion data. In one embodiment, this is determined based on the motion data and the active application data. In one embodiment, this is determined based on the motion data and time-of-day data.

If the resources are available, at block **340** the future task is initiated. The process then returns to block **330**, to query whether there are any more future tasks to be scheduled. In one embodiment, the future tasks are scheduled in order of priority. That is the first query is for the highest priority future task, then for the next highest priority, and so on. In one embodiment, each future task is evaluated by this process. If there are no remaining future tasks, the process returns to block **310** to continue logging motion data.

If, at block **325**, the process found that there was a conflict between the current applications, the process continues to block **350**.

At block **350**, the conflicting resource is identified. This may include network bandwidth, memory bandwidth, display, etc.

At block **355**, the lowest priority application which uses that resource is identified. In one embodiment, the lowest priority resource may be one that is restartable, not viewed or actively utilized by the user. For example, a backup application may be the lowest priority application.

At block **360**, the process determines whether throttling should be used. In one embodiment, throttling is always used when available. In one embodiment, throttling is only used if the application is a non-interruptible application. In one embodiment, the user may set a preference for throttling.

If throttling should be used, the process, at block **365** throttles the conflicting application's use of the conflicting resource. The process then returns to block **325**, to determine whether there is still a conflict.

If throttling should not be used, at block **370** the lowest priority application is stopped. It is then, at block **375**, added to the future tasks list. In this way, the system ensures that the task will be performed at some future time. The process then returns to block **325**, to determine whether there is still a conflict.

In this way, the system provides a method to ensure that low priority applications are throttled based on motion data, and potentially other data. Note that while this and other processes are shown in flowchart form, the actual implementation need not be sequential as described. Thus, for example, future tasks may also be monitoring the resource availability for tasks on the list. In one embodiment, conflicts may be tested for every time there is a change in state in the device, i.e. a new application is started, a new motion type is detected, etc.

FIGS. 4A and 4B are a flowchart of one embodiment of setting scheduling preferences. The process starts at block **405**. In one embodiment, this process is performed on the mobile device. In another embodiment, this process may be

performed on a remote server, and the results may be uploaded to the mobile device. In one embodiment, the process may be split between the mobile device and a server.

At block 410, the applications on the mobile device are identified. In one embodiment, this process is triggered each time a new application is added to the mobile device. In one embodiment, only new applications are evaluated and prioritized in that instance.

At block 415, the process identifies any applications needing real-time feedback. Such applications may include sensors which require real-time control commands, applications such as telephone applications where even short delays can impact the user experience.

At block 420, the process determines whether there are any such applications. If so, at block 422, these applications receive the highest priority. The process then continues to block 425. If there are no such applications, the process continues directly to block 425.

At block 425, the process identifies any applications having direct user interactions. Such applications may include games, productivity applications, and other applications where delays can impact the user experience.

At block 423, the process determines whether there are any such applications. If so, at block 432, these applications receive the next highest priority. The process then continues to block 435. If there are no such applications, the process continues directly to block 435.

At block 435, the process identifies any non-interruptible applications. Such applications may include software installation, games requiring periodic memory access, and other applications that cannot be terminated without causing problems.

At block 440, the process determines whether there are any such applications. If so, at block 442, these applications receive the next highest priority. The process then continues to block 445. If there are no such applications, the process continues directly to block 445.

At block 445, the process identifies any applications including periodic reporting. This includes sensors that have periodic updates, applications which report out to the user, applications such as email which use periodic data pulls, etc.

At block 450, the process determines whether there are any such applications. If so, at block 452, these applications receive the next highest priority. The process then continues to block 455. If there are no such applications, the process continues directly to block 455.

At block 455, the remaining applications receive the lowest priority.

At block 460, the process determines whether there is likely conflicts between equally prioritized applications. For example, it is unlikely that a user will be playing two games simultaneously, but the user may walk and make a telephone call at the same time. If there are equally prioritized applications which may conflict, the process continues to block 462.

At block 462, the conflicting applications are reprioritized based on usage statistics or other measurements. In one embodiment, the prioritization occurs within the same category. That is, the lowest priority application within a category is still a higher priority than the highest prioritization in the next lower category. In one embodiment, more frequently used applications receive higher priority. In one embodiment, delay-sensitivity is used for prioritizing within the category. In one embodiment, this step is skipped entirely, and the user is prompted to make prioritization decisions. In one embodiment, if two such applications are found in conflict during use, the one which was activated later is considered the higher priority application.

At block 465, in one embodiment the priorities are provided to the user, and the user is permitted to make changes. In one embodiment, this only occurs if the user specifically requests it. Otherwise, the entire scheduling process is completely transparent to the user, and the user need not be aware of it at all. In one embodiment, if the user lowers the priority of an application which requires real-time feedback or has user interaction, the user is warned of the risk of such a reprioritization.

At block 470, the priorities are saved. The process then ends at block 475. In one embodiment, this process may be invoked by the user at any time, may be automatically triggered periodically, may be triggered whenever a new application is added to the mobile device, or may be started by another trigger.

FIG. 6 is a block diagram of a particular machine that may be used with the present invention. It will be apparent to those of ordinary skill in the art, however that other alternative systems of various system architectures may also be used.

The data processing system illustrated in FIG. 6 includes a bus or other internal communication means 640 for communicating information, and a processing unit 610 coupled to the bus 640 for processing information. The processing unit 610 may be a central processing unit (CPU), a digital signal processor (DSP), or another type of processing unit 610.

The system further includes, in one embodiment, a random access memory (RAM) or other volatile storage device 620 (referred to as memory), coupled to bus 640 for storing information and instructions to be executed by processor 610. Main memory 620 may also be used for storing temporary variables or other intermediate information during execution of instructions by processing unit 610.

The system also comprises in one embodiment a read only memory (ROM) 650 and/or static storage device 650 coupled to bus 640 for storing static information and instructions for processor 610. In one embodiment, the system also includes a data storage device 630 such as a magnetic disk or optical disk and its corresponding disk drive, or Flash memory or other storage which is capable of storing data when no power is supplied to the system. Data storage device 630 in one embodiment is coupled to bus 640 for storing information and instructions.

The system may further be coupled to an output device 670, such as a cathode ray tube (CRT) or a liquid crystal display (LCD) coupled to bus 640 through bus 660 for outputting information. The output device 670 may be a visual output device, an audio output device, and/or tactile output device (e.g. vibrations, etc.)

An input device 675 may be coupled to the bus 660. The input device 675 may be an alphanumeric input device, such as a keyboard including alphanumeric and other keys, for enabling a user to communicate information and command selections to processing unit 610. An additional user input device 680 may further be included. One such user input device 680 is cursor control device 680, such as a mouse, a trackball, stylus, cursor direction keys, or touch screen, may be coupled to bus 640 through bus 660 for communicating direction information and command selections to processing unit 610, and for controlling movement on display device 670.

Another device, which may optionally be coupled to computer system 600, is a network device 685 for accessing other nodes of a distributed system via a network. The communication device 685 may include any of a number of commercially available networking peripheral devices such as those used for coupling to an Ethernet, token ring, Internet, or wide area network, personal area network, wireless network or

other method of accessing other devices. The communication device 685 may further be a null-modem connection, or any other mechanism that provides connectivity between the computer system 600 and the outside world.

Note that any or all of the components of this system illustrated in FIG. 6 and associated hardware may be used in various embodiments of the present invention.

It will be appreciated by those of ordinary skill in the art that the particular machine that embodies the present invention may be configured in various ways according to the particular implementation. The control logic or software implementing the present invention can be stored in main memory 620, mass storage device 630, or other storage medium locally or remotely accessible to processor 610.

It will be apparent to those of ordinary skill in the art that the system, method, and process described herein can be implemented as software stored in main memory 620 or read only memory 650 and executed by processor 610. This control logic or software may also be resident on an article of manufacture comprising a computer readable medium having computer readable program code embodied therein and being readable by the mass storage device 630 and for causing the processor 610 to operate in accordance with the methods and teachings herein.

The present invention may also be embodied in a handheld or portable device containing a subset of the computer hardware components described above. For example, the handheld device may be configured to contain only the bus 640, the processor 610, and memory 650 and/or 620.

The handheld device may be configured to include a set of buttons or input signaling components with which a user may select from a set of available options. These could be considered input device #1 675 or input device #2 680. The handheld device may also be configured to include an output device 670 such as a liquid crystal display (LCD) or display element matrix for displaying information to a user of the handheld device. Conventional methods may be used to implement such a handheld device. The implementation of the present invention for such a device would be apparent to one of ordinary skill in the art given the disclosure of the present invention as provided herein.

The present invention may also be embodied in a special purpose appliance including a subset of the computer hardware components described above, such as a kiosk or a vehicle. For example, the appliance may include a processing unit 610, a data storage device 630, a bus 640, and memory 620, and no input/output mechanisms, or only rudimentary communications mechanisms, such as a small touch-screen that permits the user to communicate in a basic manner with the device. In general, the more special-purpose the device is, the fewer of the elements need be present for the device to function. In some devices, communications with the user may be through a touch-based screen, or similar mechanism. In one embodiment, the device may not provide any direct input/output signals, but may be configured and accessed through a website or other network-based connection through network device 685.

It will be appreciated by those of ordinary skill in the art that any configuration of the particular machine implemented as the computer system may be used according to the particular implementation. The control logic or software implementing the present invention can be stored on any machine-readable medium locally or remotely accessible to processor 610. A machine-readable medium includes any mechanism for storing information in a form readable by a machine (e.g. a computer). For example, a machine readable medium includes read-only memory (ROM), random access memory

(RAM), magnetic disk storage media, optical storage media, flash memory devices, or other storage media which may be used for temporary or permanent data storage. In one embodiment, the control logic may be implemented as transmittable data, such as electrical, optical, acoustical or other forms of propagated signals (e.g. carrier waves, infrared signals, digital signals, etc.).

In the foregoing specification, the invention has been described with reference to specific exemplary embodiments thereof. It will, however, be evident that various modifications and changes may be made thereto without departing from the broader spirit and scope of the invention as set forth in the appended claims. The specification and drawings are, accordingly, to be regarded in an illustrative rather than a restrictive sense.

What is claimed is:

1. A method comprising:

determining a current use characteristic for a mobile device including use of a plurality of resources based on one or more currently active applications and motion information, the resources including one or more of a user interface, storage bandwidth, volatile memory, non-volatile memory, and network bandwidth; and

determining a future use characteristic for the mobile device including use of the plurality of resources based on the one or more currently active applications and an expected future motion information; and

scheduling a future task based on the current use characteristics and the predicted future use characteristics and an availability of the one or more resources used by the future task.

2. The method of claim 1, further comprising:

scheduling the task to be immediately executed, when the task utilizes resources not currently used by the currently active applications.

3. The method of claim 1, further comprising:

identifying a priority for the future task;

determining a conflict between the currently active application and the task; and

when the task is a higher priority than the currently active application, reducing resource availability to the currently active application while maintaining the currently active application.

4. The method of claim 3, wherein when the task is the higher priority, and insufficient resources are available, terminating the currently active application.

5. The method of claim 4, wherein when the existing operation is terminated, the existing operation is placed on a future task list to be executed when the resource becomes available again.

6. The method of claim 1, further comprising:

prioritizing tasks based on resource use and application profile.

7. The method of claim 1, wherein the task is transmitting data to a server, and wherein the data transmission task is scheduled when the motion information and the currently active applications indicate that the device is idle.

8. The method of claim 7, wherein the data call is for one or more of: uploading, downloading, and synchronizing data with a server.

9. The method of claim 7, wherein the device is idle when the device is motionless, and no user interaction with the device is occurring.

10. The method of claim 7, wherein the device is idle when the device is motionless and no voice call is being made.



11. A mobile device including a network connection comprising:

- a motion sensor to obtain motion information;
- a processor to implement an active application detector to detect a current use characteristic for the mobile device based on one or more currently active applications and the motion information;
- the processor further to identify a future use characteristic for the mobile device including use of the plurality of resources based on the one or more currently active applications and an expected future motion information; and

a scheduler to schedule a future task based on the current use characteristics and the predicted future use characteristics and an availability of the one or more resources used by the future task, the resources including one or more of a user interface, storage bandwidth, volatile memory, non-volatile memory, and network bandwidth.

12. The mobile device of claim 11, further comprising: the scheduler to schedule the task to be immediately executed, when the task utilizes resources not currently used by the currently active applications.

13. The mobile device of claim 11, further comprising: a prioritizer to determine a conflict between the currently active application and the task; and when the task is a higher priority than the currently active application, a resource restrictor to reducing resource availability to the currently active application.

14. The mobile device of claim 13, wherein reducing resource availability comprises terminating the currently active application.

15. The mobile device of claim 14, wherein when the existing operation is terminated, the existing operation is placed on a future task list to be executed when the resource becomes available again.

16. The mobile of claim 11, further comprising: the scheduler to prioritize tasks based on resource use and application profile.

17. The mobile device of claim 11, wherein the task is transmitting data to a server, and wherein the data transmission task is scheduled when the motion information and the currently active applications indicate that the device is idle.

18. The mobile device of claim 17, wherein the data call is for one or more of: uploading, downloading, and synchronizing data with a server.

19. The mobile device of claim 17, wherein the device is idle when one of the following is occurring: the device is motionless and no user interaction with the device is occurring, or when the device is motionless and no voice call is being made.

20. A mobile device including a network connection comprising:

- a processor designed to implement a motion information logic to receive motion information from a mobile device, and to determine a current use characteristic and to determine an expected future use characteristics including use of a plurality of resources and an expected future motion information;

an active application detector to adjust the current use characteristic for the mobile device based on one or more currently active applications and motion information; a scheduler to receive a task to be scheduled, the task comprising a data transmission; and

the scheduler to schedule the task based on the current use characteristics and predicted future use characteristics and expected resource availability of one or more resources used by the future task, and the currently active applications and the expected future motion information.

\* \* \* \* \*